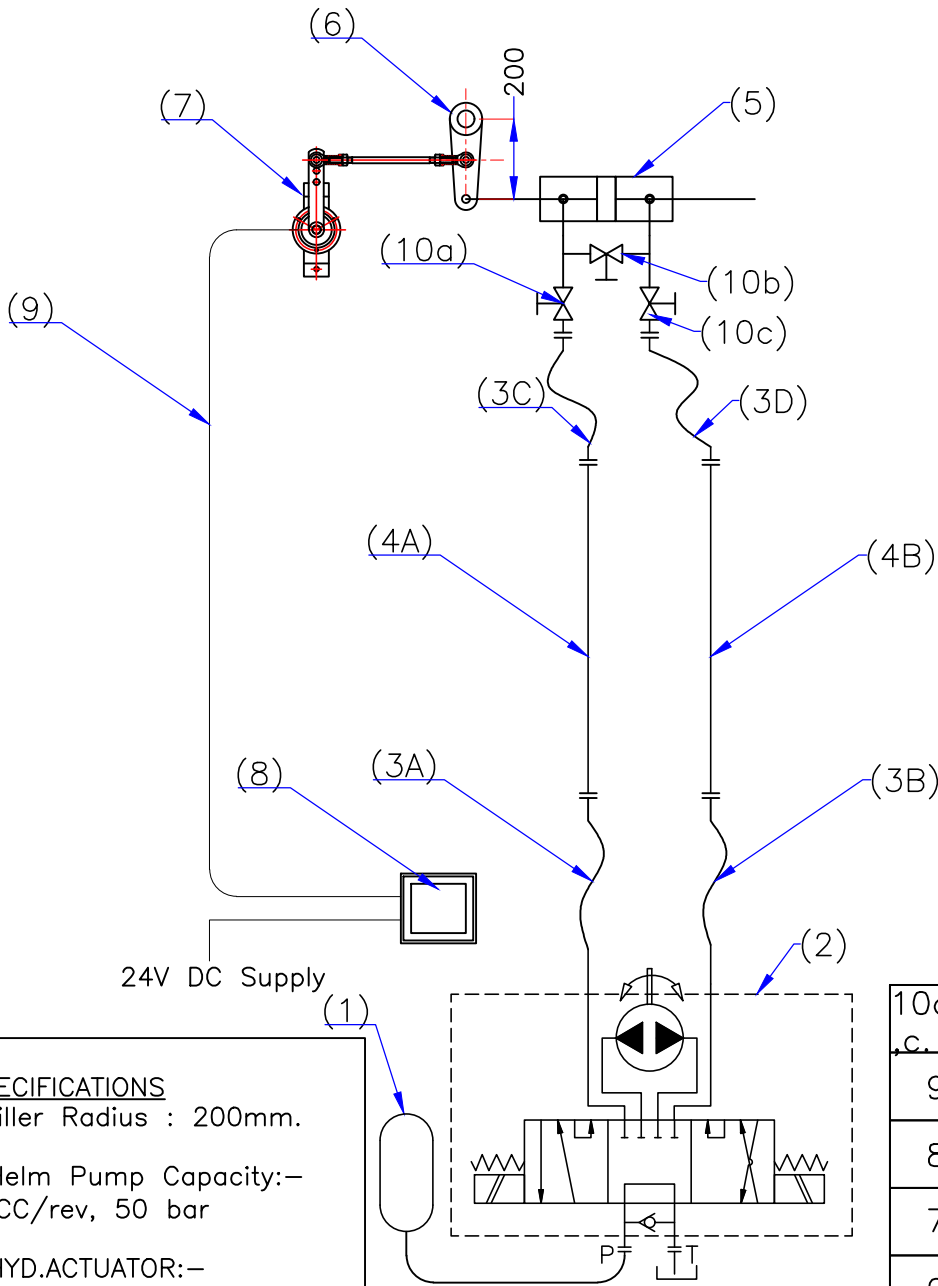


## Manual Hyd. Circuit Diagram - HERCULES



### SPECIFICATIONS

1. Tiller Radius : 200mm.
2. Helm Pump Capacity:- 80CC/rev, 50 bar
3. HYD. ACTUATOR:-  
RAM : 40MM.  
STROKE : 260MM.
4. Seamless steel tube :-  
OD -16MM.  
Wall Thk -2MM.  
Spec. EN 10305-4, E235+N
5. Steering Wheel Dia :-  
27"/690mm

10a,b,c.	H.P Ball Valve
9.	Flexible 3 Core Cable
8.	RAI Indicator
7.	RAI Sensor
6.	Tiller Arm
5.	Hyd. Actuator Model:HERCULES
4A,4B.	High Pre.Hyd.Seamless Steel Tube-Class Aprvd.
3A,3B,3C,3D.	High Pre.Hyd.Hoses
2.	Manual Helm Pump
1.	Oil Reservoir
Sl.No.	Description

Unspecified Machining Deviations			Angular Dimensions		ITEM	SCALE	MATERIAL	VIEW	DRAWN	CHECKED		
Linear Dimensions			Length of Shorter Side of Angle	Deviation in		/	NTS	/		JK	VUK	
ABOVE	UPTO	DEVIATIONS		MM	Degree or minutes							
			Above	Upto					DESIGNATION	DWG NO	DATE	QTY
									<b>Hyd. Cir. HERCULES Manual</b>	MHS-1855	10.08.2023	/
<b>MAC ♦ N ♦ HOM SYSTEMS KOCHI - 20</b>												